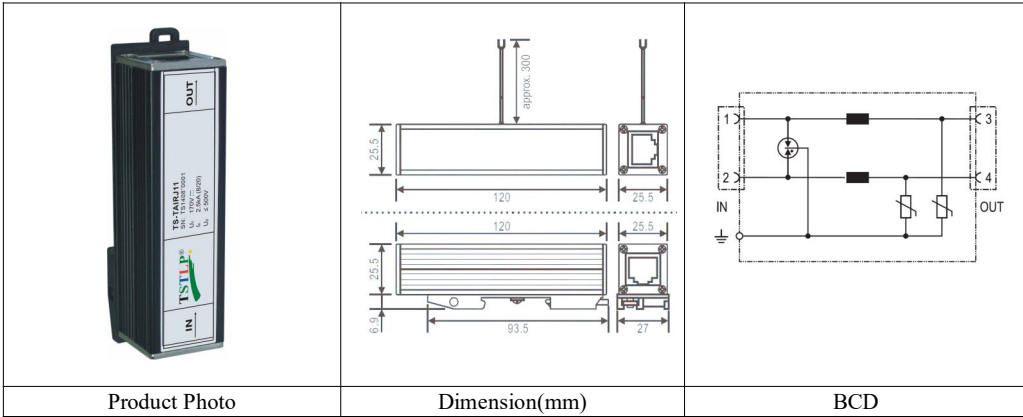




■ **TSTLP®/TS-TAIRJ11 Surge Arrester for RJ11 communication**

❖ **INTRODUCTION:** TS-TAIRJ11 with RJ11 interface according to YD/T 1542-2006; GB 18802.21-2004; IEC61643-21:2000, is designed to protect the telecommunication system, ASDL/ISDN system from interruption caused by surge voltages; network equipment from interruption caused by surge current.



❖ **TECHNICAL DATA**

Model	<b>TS-TAIRJ11</b>	
Nominal voltage	U <sub>n</sub>	110V-
Rated voltage (max. continuous voltage)	U <sub>c</sub>	170V-/ 120V~
Normal Current	I <sub>L</sub>	0.5KA
Nominal discharge current (8/20)	I <sub>n</sub>	2.5kA (per line) 5 kA (Total)
Voltage protection level at I <sub>n</sub>	U <sub>p</sub>	≤500V (line-line) ≤270V (line-PG)
Voltage protection level at 1kV/ms	U <sub>p</sub>	≤460V (line-line) ≤230V (line-PG)
Response time	t <sub>A</sub>	≤ 1ns (line-line) ≤ 100ns (line-PG)
Bandwidth	f <sub>G</sub>	16MHz (AD-PG)
Series impedance per line	R	1.8 Ohm
Operating temperature range		-40°C...+80°C
Connection (input / output)		RJ11 shield socket
Earthing via		Earthing screw
Mounting on		35mm DIN rail
Enclosure material		Aluminum
Standards		YD/T 1542-2006; GB 18802.21-2004; IEC61643-21:2000
Compliance		<b>CE(LVD,EMC)</b>

❖ **MAIN CHARACTER**

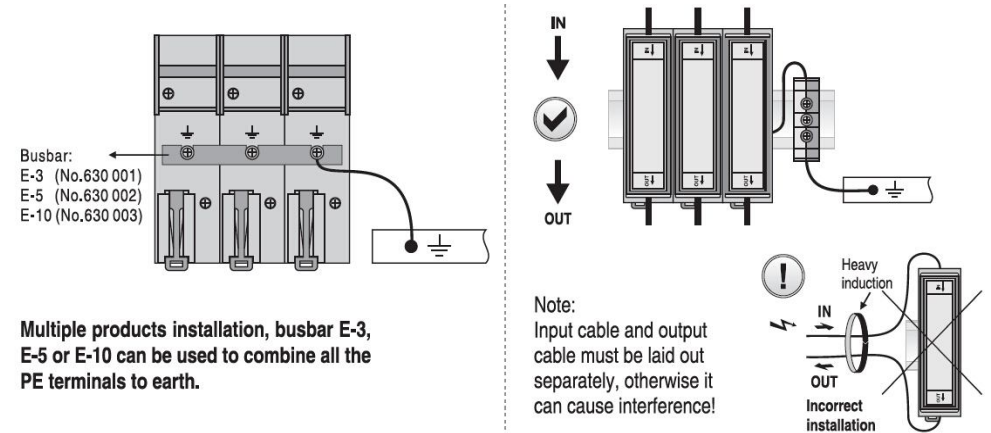
- ✓ For protecting telephone system(line)/ ISDN system and so on.
- ✓ Good discharge capacity, low voltage protection level
- ✓ Quick response, high transmission speed, low signal attenuation
- ✓ RJ11 connection, easy for installation

**INSTALLATION INSTRUCTION**

1. This product is connected in series to the protected device.
2. Mount the SPD on 35 mm DIN rail.
3. The out terminal should be connected to the protected devices.
4. SPD's earthing terminal must be connected to nearby earthing BusBar or the metal earthing enclosure of protected device.
5. After above, you should ensure the circuit is functioning.

**Regularly inspect the operating status, especially after lightning, once the communication is off, electrician should check/replace the SPD.**

**TS-TAIRJ11 INSTALLATION DIAGRAM**



**WARNING:**

- The device must be installed by electrically skilled person, conforming to national standards and safety regulations.
- It is recommended that installation should be done under power off condition.